



Government of Democratic Socialist Republic of Sri Lanka

**MINISTRY OF PLANTATION INDUSTRIES
DEVELOPMENT OF MINOR EXPORT CROP PLANTATION DIVISION**

**LANKA SUGAR COMPANY (PRIVATE)
LIMITED**

INVITATION FOR BIDS (IFB)

**Design, Manufacturing & Supply of Mill Turbine Shaft with Pinion
& Gear Shaft with Wheel – (Rated Output – 430Kw)
Pelwatte Sugar Factory
(PR - 12354)**

Bid Number	PR - 12354
Bid closing date	07th November 2023
Bid closing time	2.00 p.m.

Issued To :

Date:.....

**.....
Head of Procurement**



Government of the Democratic Socialist Republic of Sri Lanka
Invitation For Bids (IFB)
Ministry of Plantation Industries
Development of Minor Export Crop Plantation Division-
Lanka Sugar Company (Pvt) Ltd

International Competitive Bidding for the Design,
Manufacturing & Supply of Mill Turbine Shaft with Pinions &
Gear Shaft with Wheels for Pelwatte Sugar Factory
(Ref - 12354/12358)

The Chairman, Department Procurement Committee (DPC) of the of Lanka Sugar Company (Pvt) Ltd, hereby invites sealed bids from interested parties for the **Design, Manufacturing & Supply of Turbine Shaft with Pinions & Gear Shaft with Wheels** for the factory located in Pelwatte, Sri Lanka.

1. Bidders shall purchase a complete set of Bidding Documents on submission of a written application to Lanka Sugar Company (Pvt) Ltd, No 27, Melbourne Avenue, Colombo 04, Sri Lanka, from 9.00 hours to 15.00 hours of Sri Lankan standard time on working days up to **06th November 2023** upon payment of non- refundable fee of **US\$ 25 or LKR 8,000.00** or by way of direct remittance to the below mentioned bank account. Bidding Documents can also be downloaded from the Lanka Sugar website (www.lankasugar.lk) or Ministry of Plantation website (www.plantationindustries.gov.lk) or Ministry of Foreign Affairs website (www.mfa.gov.lk) and deposit slip or bank draft of non-refundable deposit should be submitted along with the bid. If fail to attach, such bid shall be rejected.

Description	LKR Bank Account
Name of the Bank	Bank Of Ceylon
Branch	Milagiriya
Account Name	Lanka Sugar Company (Pvt) Ltd
Account Number	73927950
Swift Code	BCEYLK LX

1. Required Items:

PR No	Turbine Type	Item	Qty	Non-Refundable Fee LKR	Non-Refundable Fee USD	Bid Security LKR	Bid Security USD
12354	Spare Parts for ALLEN STEAM TURBINE (SSK 8Gs) Rated Output - 430Kw	Power Turbine Shaft with Pinion	01	8000.00	US\$ 25	300,000.00	US \$ 910.00
		Gear Shaft with Wheel	01				

2. Bids must be submitted in a sealed envelope, either delivered by hand, couriered to reach the Chairman, Department Procurement Committee, Lanka Sugar Company (Pvt) Ltd, No 27, Melbourne Avenue, Colombo 04, Sri Lanka, Not later than 14.00 hours Sri Lankan standard time on **07th November 2023** and be clearly marked as “**Tender for the Design, Manufacturing & Supply of Mill Turbine Shaft with Pinions & Gear Shaft with Wheels for Pelwatte Sugar Factory**” on the top left-hand corner of the envelope. Bids will be opened immediately thereafter. Bidders or their authorized representatives may witness the opening of bids. Late bids will not be accepted. The decision of the Tender Board shall be the final.
2. All bids must be accompanied by “**Bid Security**” according to the above table with validity of 119 days from tender opening.
3. Site visit can be arranged on pre arrange Date & Time between Monday to Friday 8.00am to 4.00pm. (Contact Person: - Mr. Nanda Vipulasiri - Engineering Manager - 071-7610545)
4. A pre bid meeting will be held on 25th October 2023 at 9.30 am at Pelwatte Auditorium and please request the Zoom Link for those who cannot attend the meeting
5. Interested bidders may obtain further information from the Head of Procurement – Lanka Sugar Company (Pvt) Ltd (Tel. +94 11 2584184, Mobile + 94 77 010 3359, Fax +94 11 2500674, email: sapumal@lscl.lk).

Chairman-Department Procurement Committee Lanka
Sugar Company (Pvt) Ltd,
No 27, Melbourne Avenue,
Colombo 04,
Sri Lanka

CONTENTS

	Page No.
a. Section i - Instruction to Bidders (ITB)	01 - 14
b. Section ii - Bidding Data Sheet (BDS)	15 - 16
c. Section iii - Evaluation and Qualification Criteria	17
d. Section iv - Bidding Forms	18
i. Bid Submission Form (BSF)	19
ii. Technical Specification and Drawing	20-22
iii. Scope of Work	23
iv. Price Schedule	24
v. Delivery Schedule	25
vi. Payment Terms	26
vii. Bid Security (Bank Guarantee)	27
viii. Performance Bond	28

Section I –Instructions to Bidders (ITB)

ITB shall be read in conjunction with the Section II, Bidding Data Sheet (BDS), which shall take precedence over
ITB.

General

1. Scope of Bid

- 1.1 The Purchaser indicated in the Bidding Data Sheet (BDS), issues these Bidding Documents for the supply of incidental thereto. The name and identification number of this procurement are specified in the BDS.
- 1.2 Throughout these Bidding Documents:
 - (a) the term “in writing” means communicated in written form by mail (or electronic mail) or hand delivered with proof of receipt;
 - (b) if the context so requires, “singular” means “plural” and vice versa; and “Day” means calendar day.

2. Source of Funds

- 2.1 Payments under this contract will be financed by the source specified in the BDS.

3. Ethics, Fraud and Corruption

- 3.1 The attention of the bidders is drawn to the following guidelines of the Procurement Guidelines published by National Procurement Agency of Sri Lanka, Parties associated with Procurement Actions, namely, suppliers/contractors and officials shall ensure that they maintain strict confidentiality throughout the process; Officials shall refrain from receiving any personal gain from any Procurement Action. No gifts or inducement shall be accepted.
Suppliers/contractors are liable to be disqualified from the bidding process if found offering any gift or inducement which may have an effect of influencing a decision or impairing the objectivity of an official.
- 3.2 The Purchaser requires the bidders, suppliers, contractors, and consultants to observe the highest standard of ethics during the procurement and execution of such contracts. In pursuit of this policy:
 - (a) “Corrupt practice” means the offering, giving, receiving, or soliciting, directly or indirectly, of anything of value to influence the action of a public official in the procurement process or in contract execution;
 - (b) “Fraudulent practice” means a misrepresentation or omission of facts in order to influence a procurement process or the execution of a contract;

- (c) “Collusive practice” means a scheme or arrangement between two or more bidders, with or without the knowledge of the Purchaser to establish bid prices at artificial, noncompetitive levels; and
- (d) “Coercive practice” means harming or threatening to harm, directly or indirectly, persons or their property to influence their participation in the procurement process or affect the execution of a contract.

3.3 If the Purchaser found any unethical practices as stipulated under ITB **Clause 3.2**, the Purchaser will reject a bid, if it is found that a Bidder directly or through an agent, engaged in corrupt, fraudulent, collusive or coercive practices in competing for the Contract in question.

4. Eligible Bidders

4.1 All bidders shall possess legal rights to supply the Goods under this contract.

4.2 A Bidder shall not have a conflict of interest. All bidders found to have conflict of interest shall be disqualified. Bidders may be considered to have a conflict of interest with one or more parties in this bidding process, if they:

- (a) are or have been associated in the past, with a firm or any of its affiliates which have been engaged by the Purchaser to provide consulting services for the preparation of the specifications, and other documents to be used for the procurement of the goods to be purchased under these Bidding Documents; or
- (b) Submit more than one bidding this bidding process. However, this does not limit the participation of subcontractors in more than one bid.

4.3 A Bidder that is under a declaration of ineligibility by the National Procurement Agency of Sri Lanka (NPA), at the date of submission of bids or at the date of contract award, shall be disqualified. The list of debarred firms is available at the website of NPA, www.npa.gov.lk.

5. Eligible Goods

5.1 All goods supplied under this contract shall be complied with the industry norms.

6. Sections of Bidding Document

6.1 The Bidding Documents consist of 2 Volumes, which include all the sections indicated below, and should be read in conjunction with any addendum issued in accordance with ITB Clause 8.

Volume 1

- Section I. Instructions to Bidders (ITB)

Volume 2

- Section II. Bidding Data Sheet (BDS)
- Section III. Evaluation and Qualification Criteria.
- Section IV. Bidding Forms

6.2 The Bidder is expected to examine all instructions, forms, terms, and specifications in the Bidding Documents. Failure to furnish all information or documentation required by the Bidding Documents may result in the rejection of the bid.

7. Clarification of Bidding Documents

7.1 A prospective Bidder requiring any clarification of the Bidding Documents including the restrictiveness of specifications shall contact the Purchaser in writing at the Purchaser's address specified in the BDS. The Purchaser will respond in writing to any request for clarification, provided that such request is received no later than ten (10) days prior to the deadline for submission of bids. The Purchaser shall forward copies of its response to all those who have purchased the Bidding Documents, including a description of the inquiry but without identifying its source. Should the Purchaser deem it necessary to amend the Bidding Documents as a result of a clarification, it shall do so following the procedure under ITB Clause 8.

Preparation of Bids

8. Amendment of Bidding Documents

- 8.1 At any time prior to the deadline for submission of bids, the Purchaser may amend the Bidding Documents by issuing addendum.
- 8.2 Any addendum issued shall be part of the Bidding Documents and shall be communicated in writing to all who have purchased the Bidding Documents.
- 8.3 To give prospective Bidders reasonable time in which to take an addendum into account in preparing their bids, the Purchaser may, at its discretion, extend the deadline for the submission of bids, pursuant to ITB Sub-Clause 23.2

9. Cost of Bidding

9.1 The Bidder shall bear all costs associated with the preparation and submission of its bid, and the Purchaser shall not be responsible or liable for those costs, regardless of the conduct or outcome of the bidding process.

10. Language of Bid
 - 10.1 The Bid, as well as all correspondence and documents relating to the Bid (including supporting documents and printed literature) exchanged by the Bidder and the Purchaser, shall be written in English language.

11. Documents Comprising the Bid
 - 11.1 The Bid shall comprise the following:
 - (a) Bid Submission Form and the applicable Price Schedules, in accordance with ITB Clauses 12, 14, and 15;
 - (b) Bid Security or Bid-Securing Declaration, in accordance with ITB Clause 20;
 - (c) Documentary evidence in accordance with ITB Clauses 18 and 29, that the Goods supplied conform to the Bidding Documents;
 - (d) Documentary evidence in accordance with ITB Clause 18 establishing the Bidder's qualifications to perform the contract if its bid is accepted; and any other document required in the BDS.

12. Bid Submission Form and Price Schedules
 - 12.1 The Bidder shall submit the Bid must be completed without any Submission Form using the form furnished in Section IV, Bidding Forms. These form alterations to its format, and no substitutes shall be accepted. All blank spaces shall be filled in with the information requested.

13. Alternative Bids
 - 13.1 Alternative bids shall not be considered.

14. Bid Prices and Discounts
 - 14.1 Any discount offered in the price schedule shall be included in the unit price of the item. However, a Bidder wishes to offer discount for the total value bidder may do so by indicating such amounts appropriately.
 - 14.2 (i) Prices indicated on the Price Schedule shall include all duties and sales and other taxes already paid or payable by the Supplier:
 - (ii) The price for inland transportation, insurance and other related services to deliver the goods to their final destination;
 - (iii) The price of other incidental services
 - 14.3 The Prices quoted by the Bidder shall be fixed during the Bidder's performance of the Contract and not subject to variation on any account. A bid submitted with an adjustable price quotation will be treated as non-responsive and rejected.
 - i The prices quoted shall corresponded to the 100% of item and quantity

15. Currencies of Bid
 - 15.1 Unless otherwise stated in Bidding Data Sheet, the Bidder shall quote in United States Dollars or LKR for Domestic Bidder and payment shall be payable in United States Dollars converted on the exchange rate prevailing of the delivery of item on the CIF Colombo Sea port by way of letter of credit of signed.

16. Documents Establishing the Eligibility of the Bidder
 - 16.1 To establish their eligibility in accordance with ITB Clause 4, Bidders shall complete the Bid Submission Form, included in Section IV, Bidding Forms.

17. Documents Establishing the Conformity of the Goods and offered
 - 17.1 To establish the conformity of the Goods offered to the Bidding Documents, the Bidder shall furnish as part of its Bid the documentary evidence that the Goods conform to the technical specifications and standards specified in Section IV.
 - 17.2 The documentary evidence may be in the form of literature, drawings or data, and shall consist of a detailed item by item description (given in Section IV, Technical Specifications) of the essential technical and performance characteristics of the Goods, demonstrating substantial responsiveness of the Goods to the technical specification, and if applicable, a statement of deviations and exceptions to the provisions.

18. Documents Establishing the Qualifications of the Bidder
 - 18.1 The documentary evidence of the Bidder's qualifications to perform the contract if its bid is accepted shall establish to the Purchaser's satisfaction:
 - (a) A Bidder that does not manufacture or produce the Goods it offers to supply shall submit the Manufacturer's Authorization using the form included in Section IV, Bidding Forms to demonstrate that it has been duly authorized by the manufacturer or producer of the Goods to supply these Goods;
 - (b) that the Bidder meets each of the qualification criterion specified in Section III, Evaluation and Qualification Criteria.

19. Period of Validity of Bids
 - 19.1 Bids shall remain valid until the date specified in the BDS. A bid valid for a shorter date shall be rejected by the Purchaser as non-responsive.
 - 19.2 In exceptional circumstances, prior to the expiration of the bid validity date, the Purchaser may request bidders to extend the period of validity of their bids. The request and the responses shall be made in writing. If a Bid Security is requested in accordance with ITB Clause 20, it shall also be

extended for a corresponding period. A Bidder may refuse the request without forfeiting its Bid Security. A Bidder granting the request shall not be required or permitted to modify its bid.

20. Bid Security

20.1 The Bidder shall furnish as part of its bid, a Bid Security or a Bid-Securing Declaration, as specified in the BDS.

20.2 The Bid Security shall be in the amount specified in the BDS and denominated in United States Dollar or Sri Lankan Rupees, and shall:

- (a) at the bidder's option, be in the form of either a bank draft, a letter of credit, or a bank guarantee from a banking institution;
- (b) Be issued by a institution acceptable to Purchaser. The acceptable institutes are published in the NPA, Sri Lanka, website, www.npa.gov.lk.
- (c) be substantially in accordance with the form included in Section IV, Bidding Forms;
- (d) be payable promptly upon written demand by the Purchaser in case the conditions listed in ITB Clause 20.5 are invoked;
- (e) be submitted in its original form; copies will not be accepted;
- (f) Remain valid for the period specified in the BDS.

20.3 Any bid not accompanied by a substantially responsive Bid Security or Bid Securing Declaration in accordance with ITB Sub-Clause 20.1 and 20.2, may be rejected by the Purchaser as non-responsive.

20.4 The Bid Security of unsuccessful Bidders shall be returned as promptly as possible upon the successful Bidder's furnishing of the Performance Security pursuant to ITB Clause 40.

20.5 The Bid Security may be forfeited or the Bid Securing Declaration executed:

- (a) if a Bidder withdraws its bid during the period of bid validity specified by the Bidder on the Bid Submission Form, except as provided in ITB Subclause 19.2; or
- (b) if a Bidder does not agree to correction of arithmetical errors in pursuant to ITB Sub-Clause 30.3
- (c) if the successful Bidder fails to:
 - (i) Furnish Performance Security in accordance with ITB Clause 42.

21. Format and Signing of Bid

21.1 The Bidder shall prepare one original of the documents comprising the bid as described in ITB Clause 11 and clearly mark it as "ORIGINAL." In addition, the Bidder shall submit a copy of the bid and clearly mark it as "COPY". In the event of any discrepancy between the original and the copy, the original shall prevail.

- 21.2 The original and the Copy of the bid shall be typed or written in indelible ink and shall be signed by a person duly authorized to sign on behalf of the Bidder.
- 21.3 Any interlineations, erasures, or overwriting shall be valid only if they are signed or initialed by the person signing the Bid.

Submission and Opening of Bids

22. Submission, Sealing and Marking of Bids

- 22.1 Bidders may always submit their bids by mail or by hand or courier.
- (a) Bidders submitting bids by mail or by hand or courier, shall enclose the original and the copy of the Bid in separate sealed envelopes, duly marking the envelopes as "ORIGINAL" and "COPY." These envelopes containing the original and the copy shall then be enclosed in one single envelope.
- 22.2 The inner and outer envelopes shall:
- (a) Bear the name and address of the Bidder;
- (b) be addressed to the Purchaser in accordance with ITB Sub-Clause 23.1;
- (c) bear the specific identification of this bidding process as indicated in the BDS; and
- (d) Bear a warning not to open before the time and date for bid opening, in accordance with ITB Sub-Clause 26.1.

If all envelopes are not sealed and marked as required, the Purchaser will assume no responsibility for the misplacement or premature opening of the bid.

23. Deadline for Submission of Bids

- 23.1 Bids must be received by the Purchaser at the address and no later than the date and time specified in the BDS.
- 23.2 The Purchaser may, at its discretion, extend the deadline for the submission of bids by amending the Bidding Documents in accordance with ITB Clause 8, in which case all rights and obligations of the Purchaser and Bidders previously subject to the deadline shall thereafter be subject to the deadline as extended.

24. Late Bids

- 24.1 The Purchaser shall not consider any bid that arrives after the deadline for submission of bids, in accordance with ITB Clause 23. Any bid received by the Purchaser after the deadline for submission of bids shall be declared late, rejected, and returned unopened to the Bidder

25. Withdrawal, and Modification of Bids

- 25.1 A Bidder may withdraw, or modify its Bid after it has been submitted by sending a written notice in accordance with ITB Clause 22, duly signed by an authorized representative, and shall include a copy of the authorization in accordance with ITB Sub-Clause 21.2, (except that no copies of the withdrawal notice are required). The corresponding substitution or modification of the bid must accompany the respective written notice. All notices must be:
- (a) Submitted in accordance with ITB Clauses 21 and 22 (except that withdrawal notices do not require copies), and in addition, the respective envelopes shall be clearly marked "WITHDRAWAL," or "MODIFICATION;" and
 - (b) Received by the Purchaser prior to the deadline prescribed for submission of bids, in accordance with ITB Clause 23.
- 25.2 Bids requested to be withdrawn in accordance with ITB Sub-Clause 25.1 shall be returned to the Bidders only upon notification of contract award to the successful bidder in accordance with sub clause 39.1.
- 25.3 No bid may be withdrawn, substituted, or modified in the interval between the deadline for submission of bids and the expiration of the period of bid validity specified by the Bidder on the Bid Submission Form or any extension thereof.

26. Bid Opening

- 26.1 The Purchaser shall conduct the bid opening in public at the address, date and time specified in the BDS.
- 26.2 First, envelopes marked "WITHDRAWAL" shall be opened and read out and the envelope with the corresponding bid may be opened at the discretion of the Purchaser. No bid withdrawal shall be permitted unless the corresponding withdrawal notice contains a valid authorization to request the withdrawal and is read out at bid opening. Envelopes marked "MODIFICATION" shall be opened and read out with the corresponding Bid. No Bid modification shall be permitted unless the corresponding modification notice contains a valid authorization to request the modification and is read out at Bid opening. Only envelopes that are opened and read out at Bid opening shall be considered further.
- 26.3 All other envelopes shall be opened one at a time, reading out: the name of the Bidder and whether there is a modification; the Bid Prices, including any discounts and alternative offers; the presence of a Bid Security or Bid-Securing Declaration, if required; and any other details as the Purchaser may consider appropriate. Only discounts and alternative offers read out at Bid opening shall be considered for evaluation. No Bid shall be rejected at Bid opening except for late bids, in accordance with ITB Sub- Clause 24.1.
- 26.4 The Purchaser shall prepare a record of the Bid opening that shall include, as a minimum: the name of the Bidder and whether there is a withdrawal, or modification; the Bid Price, per lot if applicable, including any discounts, and the presence or absence of a Bid Security or Bid-Securing

Declaration. The bids that were opened shall be resealed in separate envelopes, promptly after the bid opening. The Bidders' representatives who are present shall be requested to sign the attendance sheet. A copy of the record shall be distributed to all Bidders who submitted bids in time.

Evaluation and Comparison of Bids

27. Confidentiality

- 27.1 Information relating to the examination, evaluation, comparison, and post qualification (if applicable) of bids, and recommendation of contract award, shall not be disclosed to bidders or any other persons not officially concerned with such process until publication of the Contract Award.
- 27.2 Any effort by a Bidder to influence the Purchaser in the examination, evaluation, comparison, and post-qualification of the bids or contract award decisions may result in the rejection of its Bid.
- 27.3 Notwithstanding ITB Sub-Clause 27.2, if any Bidder wishes to contact the Purchaser on any matter related to the bidding process, from the time of bid opening to the time of Contract Award, it should do so in writing.

28. Clarification

To assist in the examination, evaluation, comparison and post-qualification of the bids, the Purchaser may, at its discretion, request any of Bidder for a clarification of its Bid. Any clarification submitted by a Bidder in respect to its Bid and that is not in response to a request by the Purchaser shall not be considered for purpose of evaluation. The Purchaser's request for clarification and the response shall be in writing. No change in the prices or substance of the Bid shall be sought, offered, or permitted, except to confirm the correction of arithmetic errors discovered by the Purchaser in the Evaluation of the bids, in accordance with ITB Clause 30.

29. Responsiveness of Bids

- 29.1 The Purchaser's determination of a bid's responsiveness is to be based on the contents of the bid itself.
- 29.2 A substantially responsive Bid is one that conforms to all the terms, conditions, and specifications of the Bidding Documents without material deviation, reservation, or omission. A material deviation, reservation, or omission is one that:
 - (a) affects in any substantial way the scope, quality, or performance of the Goods and Related Services specified in the contract; or

- (b) limits in any substantial way, inconsistent with the Bidding Documents, the Purchaser's rights or the Bidder's obligations under the Contract; or
- (c) if rectified would unfairly affect the competitive position of other bidders presenting substantially responsive bids.

29.3 If a bid is not substantially responsive to the Bidding Documents, it shall be rejected by the Purchaser and may not subsequently be made responsive by the Bidder by correction of the material deviation, reservation, or omission.

30. Nonconformities, Errors, and Omissions

30.1 Provided that a Bid is substantially responsive, the Purchaser may waive any nonconformities or omissions in the Bid that do not constitute a material deviation.

30.2 Provided that a bid is substantially responsive, the Purchaser may request that the Bidder submit the necessary information or documentation, within a reasonable period of time, to rectify nonmaterial nonconformities or omissions in the bid related to documentation requirements. Such omission shall not be related to any aspect of the price of the Bid. Failure of the Bidder to comply with the request may result in the rejection of its Bid.

30.3 Provided that the Bid is substantially responsive, the Purchaser shall correct arithmetical errors on the following basis:

- (a) if there is a discrepancy between the unit price and the line-item total that is obtained by multiplying the unit price by the quantity, the unit price shall prevail and the line-item total shall be corrected, unless in the opinion of the Purchaser there is an obvious misplacement of the decimal point in the unit price, in which case the line-item total as quoted shall govern and the unit price shall be corrected;
- (b) if there is an error in a total corresponding to the addition or subtraction of subtotals, the subtotals shall prevail and the total shall be corrected; and
- (c) if there is a discrepancy between words and figures, the amount in words shall prevail, unless the amount is expressed in words and is related to an arithmetic error, in which case the amount in figures shall prevail subject to (a) and (b) above.

30.4 If the Bidder that submitted the lowest evaluated Bid does not accept the correction of errors, its Bid shall be disqualified and its Bid Security shall be forfeited or its Bid-Securing Declaration shall be executed.

31. Preliminary Examination of Bids

31.1 The Purchaser shall examine the bids to confirm that all documents and technical documentation requested in ITB Clause 11 have been provided, and to determine the completeness of each document submitted.

- 31.2 The Purchaser shall confirm that the following documents and information have been provided in the Bid. If any of these documents or information is missing, the Bid shall be rejected.
- (a) Bid Submission Form, in accordance with ITB Sub-Clause 12.1;
 - (b) Price Schedules, in accordance with ITB Sub-Clause 12;
 - (c) Bid Security or Bid Securing Declaration, in accordance with ITB Clause 20.

32. Examination of Terms and Conditions; Technical Evaluation

- 32.1 The Purchaser shall examine the Bid to confirm that all terms and conditions specified have been accepted by the Bidder without any material deviation or reservation.
- 32.2 The Purchaser shall evaluate the technical aspects of the Bid submitted in accordance with ITB Clause 17, to confirm that all requirements specified in Section IV, the Bidding Documents have been met without any material deviation or reservation.
- 32.3 If, after the examination of the terms and conditions and the technical evaluation, the Purchaser determines that the Bid is not substantially responsive in accordance with ITB Clause 29, the Purchaser shall reject the Bid.

33. Evaluation of Bids

- 33.1 The Purchaser shall evaluate each bid that has been determined, up to this stage of the evaluation, to be substantially responsive.
- 33.2 To evaluate a Bid, the Purchaser shall only use all the factors, methodologies and criteria defined in this ITB Clause 35.
- 33.3 To evaluate a Bid, the Purchaser shall consider the following:
- (a) the Bid Price as quoted in accordance with clause 14;
 - (b) price adjustment for correction of arithmetic errors in accordance with ITB Sub-Clause 30.3;
 - (c) price adjustment due to discounts offered in accordance with ITB Subclause 14.2; and 14.3
 - (d) adjustments due to the application of the evaluation criteria specified in the BDS from amongst those set out in Section III, Evaluation and Qualification Criteria;
- 33.4 The Purchaser's evaluation of a bid may require the consideration of other factors, in addition to the factors sated in ITB Sub-Clause 33.3, if specified in BD S. These factors may be related to the characteristics, performance, and terms and conditions of purchase of the Goods. The effect of the factors selected, if any, shall be expressed in monetary terms to facilitate comparison of bids
- 33.5 If so, specified in the BDS, these Bidding Documents shall allow Bidders to quote for one or more lots, and shall allow the Purchaser to award one or multiple lots to more than one Bidder. The

methodology of evaluation to determine the lowest evaluated lot combinations is specified in Section III, Evaluation and Qualification Criteria.

34. Comparison of Bids

34.1 The Purchaser shall compare all substantially responsive bids to determine the lowest-evaluated bid.

35. Post qualification of the Bidder

35.1 The Purchaser shall determine to its satisfaction whether the Bidder that is selected as having submitted the lowest evaluated and substantially responsive bid is qualified to perform the Contract satisfactorily.

35.2 The determination shall be based upon an examination of the documentary evidence of the Bidder's qualifications submitted by the Bidder, pursuant to ITB Clause 18.

35.3 An affirmative determination shall be a prerequisite for award of the Contract to the Bidder. A negative determination shall result in disqualification of the bid, in which event the Purchaser shall proceed to the next lowest valuated bid to make a similar determination of that Bidder's capabilities to perform satisfactorily.

36. Purchaser's Right to Accept Any Bid, and to Reject Any or All Bids

36.1 The Purchaser reserves the right to accept or reject any bid, and to annul the bidding process and reject all bids at any time prior to contract award, without thereby incurring any liability to Bidders.

Award of Contract

37. Award Criteria

37.1 The Purchaser shall award the Contract to the Bidder whose offer has been determined to be the lowest evaluated bid and is substantially responsive to the Bidding Documents, provided further that the Bidder is determined to be qualified to perform the Contract satisfactorily.

38. Purchaser's Right to Vary Quantities at Time of Award

38.1 At the time the Contract is awarded, the Purchaser reserves the right to increase or decrease the quantity of Goods and Related Services originally specified in Section V, Schedule of Requirements, provided this does not exceed twenty five percent (25%) or one unit whichever is higher and without any change in the unit prices or other terms and conditions of the bid and the Bidding Documents.

39. Notification of Award

- 39.1 Prior to the expiration of the period of bid validity, the Purchaser shall notify the successful Bidder, in writing, that its Bid has been accepted, by way of releasing authorized purchase order
- 39.2 On the receipt of performance security from the successful bidder pursuant to ITB class 40, the purchaser will promptly notify the unsuccessful bidders and will discharge it is bid security.

40. Performance Security

- 40.1 Within fourteen (14) days of the receipt of notification of award from the Purchaser, the successful Bidder, shall furnish the Performance Security to the value 10% at total purchase order value, valid up to 28 days from success the delivery of items.
- 40.2 The performance security shall be in United States Dollar or in LKR for the Domestic Bidders and shall be in stipulated format of bidding for the section iv.
- 40.3 The proceeds of the performance security shall be payable to the purchaser as compensation for any loss resulting from the supplier failure to complete the successful delivery.

Section II

Bidding Data Sheet (BDS)

The following specific data for the goods to be procured shall complement, supplement, or amend the provisions in the Instructions to Bidders (ITB). Whenever there is a conflict, the provisions herein shall prevail over those in ITB.

ITB Clause Reference	A. General
ITB 1.1	The Purchaser is :- Lanka Sugar Company (Pvt) Ltd The name and identification number of the Contract is: Design, Manufacturing & Supply of Turbine Shaft with Pinion & Gear Shaft with Wheel (Rated Output – 430Kw) for the Pelwatte Sugar Factory (PR - 12354)
ITB 2.1	The source of funding is: Lanka Sugar Company (Pvt) Ltd.
ITB 4.4	Foreign bidders are allowed to participate in bidding. Yes
	B. Contents of Bidding Documents
ITB 7.1	For Clarification of bid purposes only, the Purchaser's address is: Attention: Manager Procurement Address: Lanka Sugar Company (Pvt) Ltd. No. 27, Melbourne Avenue, Colombo 04, Sri Lanka. Telephone: +94112-584184 or +9477 010 3359 Contact Person (Mr. Vipula - Engineering Manager - 071 7610545) Electronic mail address: sapumal@lscl.lk
	C. Preparation of Bids
ITB 14.3	The bidders may quote total of quantity or part thereof
ITB 15.1	The bidder shall quote in USD CIF Colombo port or LKR for Domestic Bidders
ITB 19.1 ¹²	The bid shall be valid until 91 Days from the bid opening (05th February 2024)
ITB 20.1	(a) Bid shall include a Bid Security for the value of USD 910.00 or LKR 300,000.00 irrevocable and unconditionally en-cashable as per the Section IV of Bidding Forms; The bid Security to be issued either a. From a commercial bank operating in Sri Lanka approved by the Central Bank of Sri Lanka in favor of Lanka Sugar Company (Pvt) Ltd. b. From a bank based in country endorsement backed by a bank operating a Sri Lanka and approved by the Central Bank of Sri Lanka All charges related to above to be borne by the Bidder Bidders are required to instruct the issuing bank to issue the bid security as per the format given, if not the bid shall be rejected.

ITB 20.2	The amount of the bid security shall be the amount in United State Dollars or Sri Lankan Rupees as given above in the Clause 20.1 of this sheet and the validity period up to 119 Days from the bid opening date (04th March 2024)
D. Submission and Opening of Bids	
ITB 22.2 (c)	The inner and outer envelopes shall bear the following identification marks: Invitation of Bid for the Purchase of Turbine Shaft with Pinion & Gear Shaft with Wheel (Rated Output 430Kw) for the Allen Turbine of Pelwatte Sugar Factory (Tender Reference No– PR - 12354)
ITB 23.1	For bid submission purposes, the Purchaser's address is: Attention : The Chairman, Department Procurement Committee Address: Lanka Sugar Company (Pvt) Ltd. No. 27, Melbourne Avenue, Colombo -04, Sri Lanka.
	The deadline for the submission of bids is: Date:- 07.11.2023 Time: 14.00 Hrs.
ITB 26.1	The bid opening shall take place at : Address: Lanka Sugar Company (Pvt) Ltd. No. 27 Melbourne Avenue, Colombo -04, Sri Lanka. Date: 07.11.2023 Time: Bids will be opened immediately thereafter

Section III

Evaluation and Qualification Criteria

01. Evaluation Criteria

1. Eligibility of the supplier

1.1 The bidder has to be a registered business entity in the country concerned and document proofs to be submitted along with the bid.

1.2 Qualification requirements of bidders include,

1.2.1. Have completed at least one export order within the last 5 years.

1.2.2 Clientele reference with Contract Data

Note: The above to be supported by the relevant documents

2. Preliminary Evaluation

2.1 Acceptability bid security & Bid Validity Period

2.2 Submission of signed Form of Bid

2.3 Letter of confirmation for Authorized Signatory sign bid

3. Detail Evaluation

3.1 Conformity to given specifications

3.2 Price of the items

3.3 Delivery Period Test Certificate (all microstructure analysis of raw material, NDT, MPI , Dynamic balancing certificates & ultrasonic test)

3.4 Warranty & Guarantee

Section IV.

Bidding Forms

1. Bid Submission Form (BSF)
2. Technical Specification and Drawing with work scope
3. Price Schedule
4. Delivery Schedule
5. Payment Terms
6. Bid Security (Guarantee)
7. Performance Bond

1. Bid Submission Form

[The Bidder shall fill in this Form in accordance with the instructions indicated No alterations to its format shall be permitted and no substitutions shall be accepted.]

Date: [insert date (as day, month and year) of Bid Submission]

No: PR - 12354

**The Chairman,
Department Procurement Committee,
Lanka Sugar Company (Pvt) Ltd,
No. 27, Melbourne Avenue,
Colombo 04, Sri Lanka.**

We, the undersigned, declare that:

- a) We have examined and have no reservations to the Bidding Documents,
- b) We offer to supply in conformity with the Bidding Documents and in accordance with the Delivery Schedules specified in the Schedule of Requirements
- c) The total price of our Bid, including any discounts offered is: [insert the total bid price in words and figures in CIF Colombo in US\$ or LKR];
.....
- d) Our bid shall be valid for the period of time specified in ITB Sub-Clause 19.1, from the date fixed for the bid submission deadline in accordance with ITB Sub Clause 23.1, and it shall remain binding upon us and may be accepted at any time before the expiration of that period;
- e) If our bid is accepted, we commit to obtain a performance security in accordance with ITB Clause 40 for the due performance of the supply;
- f) We have no conflict of interest in accordance with ITB Sub-Clause 4.3;
- g) Our firm, its affiliates or subsidiaries including any subcontractors or suppliers for any part of the contract has not been declared blacklisted by the National Procurement Agency/ Department of Public Finance of Sri Lanka or the authorized agency of country concerned.
- h) We understand that this bid, together with your written acceptance thereof included in your notification of award, shall constitute a binding contract between us, until a formal contract is prepared and executed.
- i) We understand that you are not bound to accept the lowest evaluated bid or any other bid that you may receive.

Signed: [insert signature of person whose name and capacity are shown] in the capacity of [insert legal capacity of person signing the Bid Submission Form]

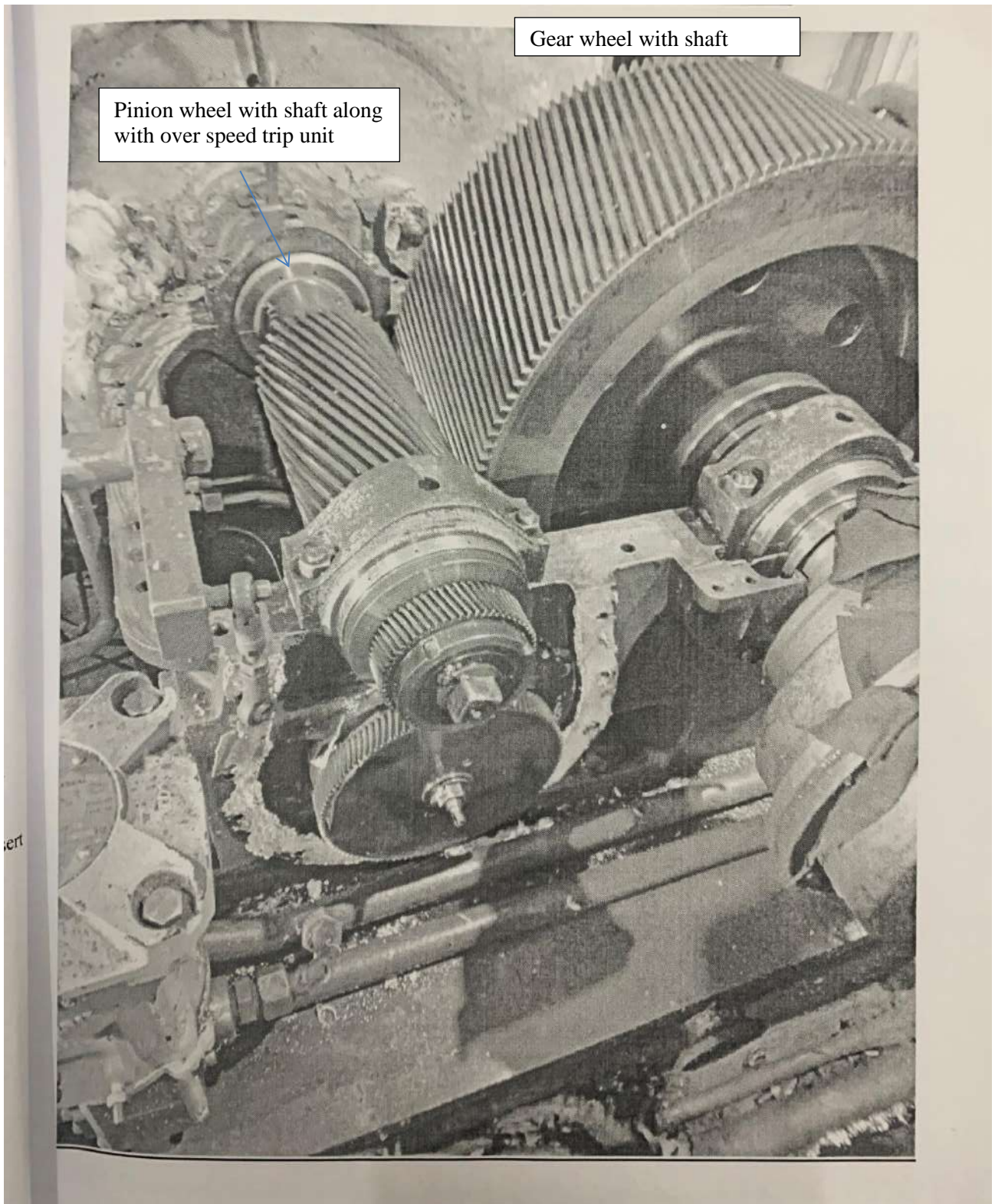
Name: [insert complete name of person signing the Bid Submission Form] duly authorized to sign the bid for and on behalf of: [insert complete name of Bidder]

Dated on _____ day of _____, _____ [insert date of signing]

Contact Details:
Mobile Number:
E-mail Address:

Drawings

Technical Specification of Turbine Shaft with Pinion 430Kw



Turbine Shaft with Pinion 430Kw

W. 4615/793

Page 6

MILL

1 TECHNICAL DATA

1.1 General

Type	SSK 8 Gs
Rated Output	430 kW
Rated steam flow	5,590 Kg/hr.
Inlet steam pressure	24.5 Kg/cm ² g.
Inlet steam temperature	375°C
Exhaust steam pressure	1.5 Kg/cm ² g.
Exhaust pressure warning sentinal valve set at	2.25 Kg/cm ² g.
Exhaust steam temperature full load	208°C
" " " " No load	305°C
Normal speed	5124/1200 rpm.
Overspeed trip set at 15%	5893/1380 rpm.
Rotation of gear output shaft looking from turbine towards driven machine	Clockwise.

Reduction Gear

Type	Single stage parallel shaft Integral with Turbine.
Gear Ratio	4.27 : 1

Speed Governor

Type	Woodward PGD with mechanical link direct to regulating valve.
------	---

Speed Adjustment

Local manual.

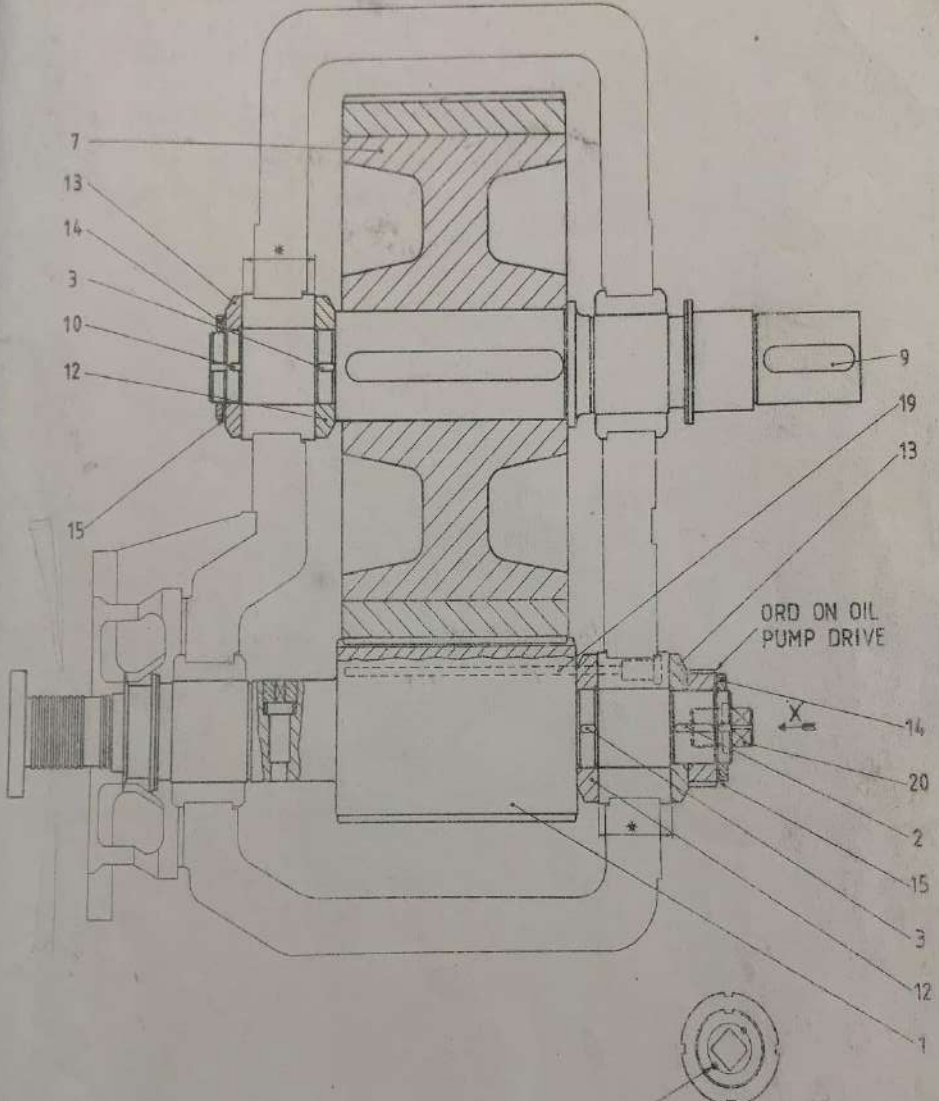
Speed Range

+ 5% to - 67% of rated speed
i.e., 1260 to 416 rpm.

Oil System

Lub oil pressure	1 - 2 Kg/cm ² g.
Oil reservoir capacity	260 litres.
Low lub. oil pressure trip	0.7 Kg/cm ² g.
Auxiliary oil pump stop	1.5 Kg/cm ² g. rising
" " " start	1.0 Kg/cm ² g. falling
Oil cooler cooling water flow	135 litres/min.
" " " Inlet temperature	38°C Max.

FIG.
230A



ORD ON OIL
PUMP DRIVE

PART VIEW ON ARROW 'X'

* NOTE
DISTANCE BETWEEN THRUST COLLARS
ARE TO BE SET TO $90-18^{\circ} + 0.02$ ON
ASSEMBLING SHAFT

2 HOLES TAPPED M16x1.0x12 FULL
THREAD DEEP DIAMETRICALLY
OPPOSITE AS SHOWN FOR LOCKING
SCREWS ITEM 21 SCREWS TO BE
LOCKED BY PEENING OVER THREADS

ASSEMBLY OF GEAR WITH TURBINE SHAFT

SS 230A-12
T 3002765

SCOPE OF WORK

- Reverse Engineering work should be done at the Pelwatte Sugar Factory and under “NO” condition that sample would be sent to the supplier.
 1. reverse engineering team for reverse engineering works , Kindly note the following points:
 - a) All the cost for the reverse engineering works & reverse engineering team is in supplier scope (transport , accommodation & foods ect.)
 - b) Suitable/required reverse engineering tools/measuring instruments to be arrange by supplier
 - c) Client shall ensure that the turbine internals are kept in cleaned condition for reverse engineering & will remove/dismantle internal gears as requested & required for reverse engineering team
 2. Design Manufacture & Supply of a complete set of Gear internals consists of(see attached photos
 - a) Turbine shaft with pinion
 - b) Gear shaft with wheel
 - c) Facility to use existing tripping units for new supply turbine shaft with pinion
 - d) Thrust collar supply is required
 3. Necessary test certificates will be given at the time of dispatch.
 - Raw material test certificates of shaft with pinion
 - Raw material test certificate of Gear shaft with wheel
 - Dynamic balancing certificates
 4. Material of construction:- or equivalent(give clear details of material)
 - a) Gear wheel & pinion shaft – 17CrNiMo6/ 18CrNiMo7-6, case carburized, hardened to 60+- HRC and precision ground to ISO 1328, Class 4/5 accuracy,
 - b) Gear shaft – 42Cr4Mo2
 5. In line & end line Quality Assurance of the turbine shaft of the pinion & gear shaft of the wheel : Following tests will be carried out:-
 - a) Raw material quality test:
 - I. Chemical composition
 - II. Ultrasonic Soundness
 - III. Microstructure analysis
 - IV. Mechanical properties test consisting of tensile & impact test
 - b) Heat treatment quality: (Only for case carburized material)
 - I. Microstructure analysis
 - II. Case depth
 - III. Case hardness
 - IV. Dye penetration flaw check
 - c) Process quality test:
 - I. Dimensional measurement/Accuracy
 - II. Geometrical parameters – Run out profile, helix, radial run out and pitch errors

3. PRICE SCHEDULE

Design, Manufacturing & Supply of Mill Turbine Shaft with Pinion & Gear Shaft with Wheel (Rated Output – 430Kw) for the Pelwatte Sugar Factory PR - 12354

1	2	3		4	5
No	Description	Qty	Unit	Price per unit in US\$ CIF- Port Colombo port/ LKR for Domestic Bidders	Total Price in US\$ CIF Port Colombo/ LKR for Domestic Bidders
01	Turbine Shaft with Pinion	01	No		
02	Gear Shaft with Wheel (Design, Manufacturing & Supply)	01	No		
Total					

Signature of the Bidder

Date.....

Company Seal.....

Place the signature and the company embossed seal

4.Delivery Schedule
Design, Manufacturing & Supply of Mill Turbine Shaft with
Pinion & Gear Shaft with Wheel (Rated Output – 430Kw)
PR -12354

S. No	Description	Qty (Nos)	Delivery Time schedule for each shipment	Remarks
01 02	Turbine Shaft with Pinion Gear Shaft with Wheel (Design, Manufacturing & Supply)	01 01	1. Production 2. Dispatch 3. ETA Colombo	

Details of Shipping and other Documents to be furnished by the supplier

1. Commercial invoice
2. Packing List
3. Bill of Lading
4. Certificate of country of Origin
5. Certificate of fumigation issued by any institute approved by the Ministry of National Food Security and Research Department of Plant Protection of country concerned.
6. Quality Certificate from of the country concerned certifying the consignment comprise as per the internationally accepted standards

Signature of the Bidder

Date.....

Company Seal.....

Place the signature and the company seal

5. Payment Terms

The method of payments to be made to the supplier under this contract shall be as follows.

1. No advance payment shall not be entertained
2. Payment shall be made through Irrevocable Letter of Credit.

S. No	Description	Qty (Nos)	Payment Terms	Bidder Remarks
01	Turbine Shaft with Pinion	01	30 days from Delivery	
02	Gear Shaft with Wheel (Design, Manufacturing & Supply)	01		

6. Bid Security

[This Bank Guarantee form shall be filled in accordance with the instructions indicated in brackets] _____

_____ [Insert issuing agency's name and address of issuing branch or office]

Beneficiary:

Lanka Sugar Company Private Limited, No 27, Malborne Avenue, Colombo 04, Sri Lanka

Date [insert (by issuing agency) date]

BID SECURITY No. [Insert (by issuing agency) number]

We have been informed that _____
----- [insert (by issuing agency) name of the Bidder; if a joint venture, list complete legal names of partners] (hereinafter called "the Bidder") has submitted to you its bid dated -----
----- [insert (by issuing agency) date] (hereinafter called "the Bid") for the supply of [insert name of Supplier] under Invitation for Bids No.PR - 12354

Furthermore, we understand that, according to your conditions, Bids must be supported by a Bid Guarantee.

At the request of the Bidder, we _____
..... [Insert name of issuing agency]

hereby irrevocably undertake to pay you any sum or sums not exceeding in total an amount of US\$ or LKR..... upon receipt by us of your first

demand in writing accompanied by a written statement stating that the Bidder is in breach of its obligation(s) under the bid conditions, because the Bidder:

- a) has withdrawn its Bid during the period of bid validity specified; or
- b) does not accept the correction of errors in accordance with the Instructions to Bidders (hereinafter "the ITB"); or
- c) having been notified of the acceptance of its Bid by the Purchaser during the period of bid validity, (i) fails or refuses to execute the Contract Form, if required, or (ii) fails or refuses to furnish the Performance Security, in accordance with the ITB.

This Guarantee shall expire: (a) if the Bidder is the successful bidder, upon our receipt of copies of the Contract signed by the Bidder and of the Performance Security issued to you by the Bidder; or (b) if the Bidder is not the successful bidder, upon the earlier of (i) our receipt of a copy of your notification to the Bidder that the Bidder was unsuccessful, otherwise it will remain in force up to **(04th March 2024)**

Consequently, any demand for payment under this Guarantee must be received by us at the office on or before that date. _____

[Signature(s) of authorized representative(s)]

7. Performance Security

[Note: the purchaser is required to fill the information marked as “*” and delete this note prior to selling of the bidding document]

[The issuing agency, as requested by the successful Bidder, shall fill in this form in accordance with the instructions indicated]

-----[Issuing Agency’s Name, and Address of Issuing Branch or Office] _____

* **Beneficiary:** Lanka Sugar Company (Pvt) Ltd, No 27, Melbourne Avenue, Colombo – 07, Sri Lanka [Name and Address of Employer] -----

Date: _____

PERFORMANCE SECURITY No.: _____

We have been informed that -----[name of Supplier] (Hereinafter called “the Supplier”) has entered into Contract No. ----- [reference number of the contract] dated ----- with you, for the ----- Design, Manufacturing & Supply of Turbine Shaft with Pinion & Gear Shaft with Wheel (hereinafter called “the Contract”).

Furthermore, we understand that, according to the conditions of the Contract, a performance guarantee is required.

At the request of the Supplier, we ----- [name of Agency] hereby irrevocably undertake to pay you any sum or sums not exceeding in total an amount of ----- [amount in figures] (-----) [amount in words], such sum being payable in the types and proportions of currencies in which the Contract Price is payable, upon receipt by us of your first demand in writing accompanied by a written statement stating that the Contractor is in breach of its obligation(s) under the contract, without your needing to prove or to show grounds for your demand or the sum specified therein.

This guarantee shall expire, no later than the day of, 20..... [Insert date, 28 days beyond the scheduled completion date including the warranty period] and any demand for payment under it must be received by us at this office on or before that date.

[Signature(s)]

Note: -

A Performance Security of 10% of the contract price is required. Performance Bond shall be 28 days beyond the date of completion of the quantity agreed.

The performance Security to be issued either

- a. From commercial bank operating in Sri Lanka approved by the Central Bank of Sri Lanka in favor of Lanka Sugar Company (Pvt) Ltd.
- b. From a bank based in country endorsement backed by a bank operating a Sri Lanka and approved by the Central Bank of Sri Lanka

All charges related to above to be borne by the Bidder

Bidders are required to instruct the issuing bank to issue the performance security as per the format given, if not the bid shall be rejected.